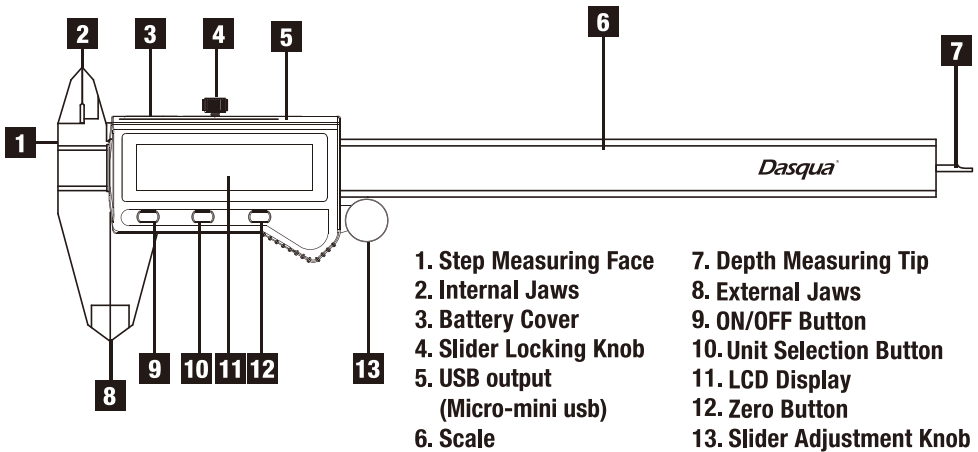


INSTRUCTION MANUAL

STRUCTURES



To Install the Battery:

Slide out the battery cover. Insert the included battery with the positive (+) side facing

SPECIFICATIONS

Resolution	0.01mm / 0.0005"
Power	1 x CR2032 3V Battery
Maximum Humidity	Up to 80% non-condensing
Operating Temperature	0 – 40°C (32 – 104°F)
Storage Temperature	-10 – 60°C (14 – 140°F)

⚠ WARNING

THE SAFETY INFORMATION GIVEN INSIDE MUST BE READ AND UNDERSTOOD BY ANY PERSON USING, INSTALLING, REPAIRING OR MAINTAINING THESE PRODUCTS

SAFETY PRECAUTIONS

Follow the safety precautions below to reduce the risk of damaging your caliper.

- Avoid exposure to any liquids and excessive humidity.
- Avoid exposure to electromagnetic fields.
- Do not expose the instrument to direct sunlight.
- Do not attempt to disassemble the instrument.

CLEANING

After each use, wipe clean the caliper with a soft cloth. DO NOT use any type of solvent. DO NOT immerse the caliper in liquid.

Water damage may cause the display to fail. Wipe off the liquid and make sure the area between the slider and the beam has completely dried out. Reset the caliper by removing the battery for 30 seconds. Reinstall the battery and then turn the tool ON.

TROUBLESHOOTING

PROBLEM	SOLUTION
No display	Check battery contacts or replace the battery.
Digits do not display correctly	Reset the caliper: remove the battery for 30 seconds, then reinstall the battery and turn ON the tool.
Digits flashing	Battery power is low. Replace with new battery.

BATTERY REPLACEMENT & WARNINGS

Flashing of the digits on the LCD display indicates the battery power is low. Remove the battery cover and replace with identical battery (positive side facing upward).

⚠ WARNING: Follow the safety instructions below for handling and maintaining batteries.

- Do not short circuit batteries.
- Do not keep batteries near fire, sources of heat, or use under direct sunlight.
- Remove batteries from tool when not being used to an extended period of time.
- Never handle leaked batteries. Do not dismantle batteries.
- Recycle used tool and batteries at your local recycling facility.